
AQUAHEAT 5 RO-S

Instruction Manual



DESCRIPTION

The Aquaheat H5RO-S controller is suitable for separate/independent circulation pump systems in combination with 'Heat Demand' style of heat pumps.

The H5RO-S Controller is designed to switch on a 240Vac circulation pump, controlled from the 'HEATER INTERLOCK' output of the heat pump.

INSTALLATION INSTRUCTIONS

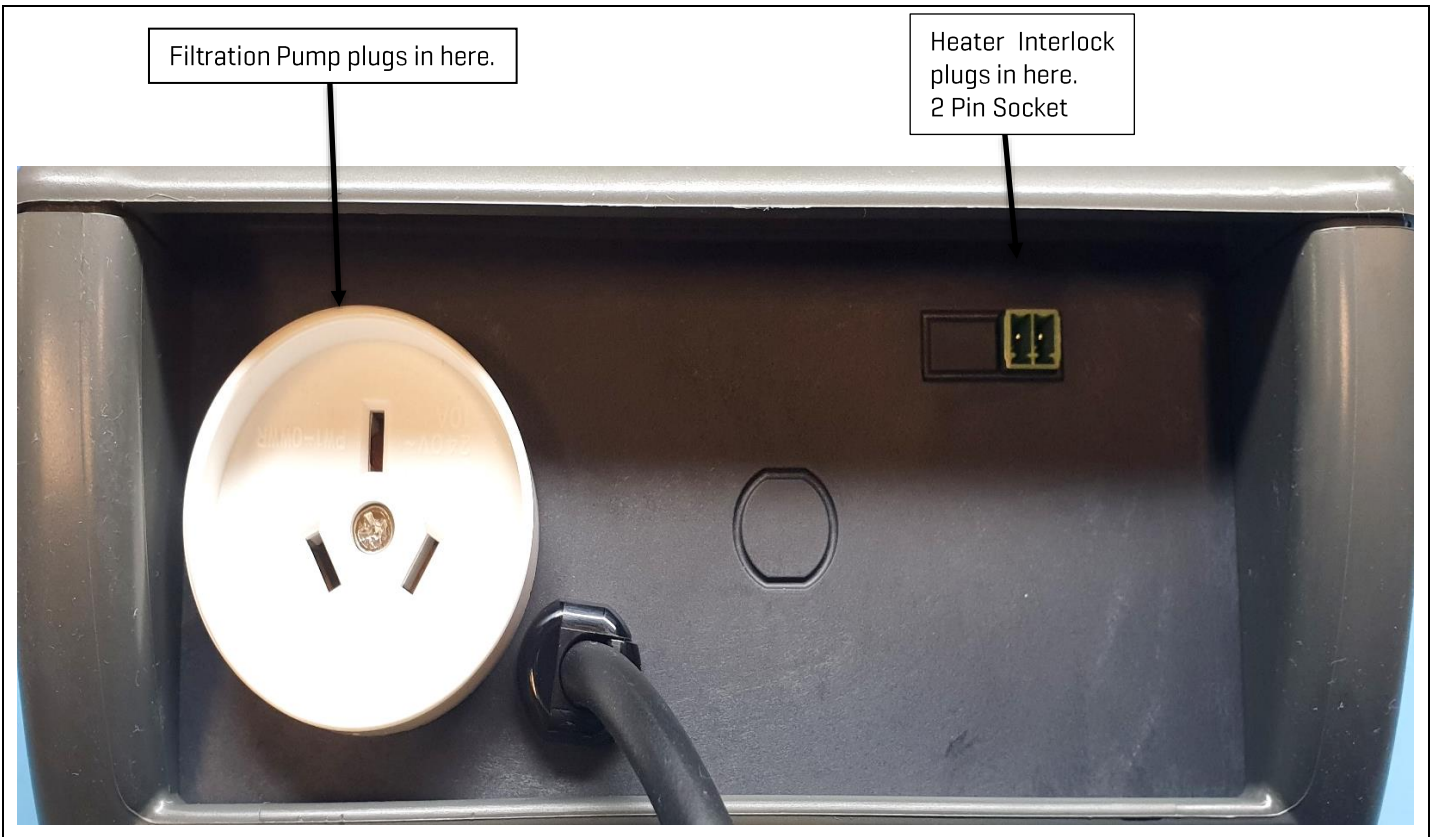
THIS APPLIANCE IS NOT INTENDED FOR USE BY YOUNG CHILDREN OR INFIRM PERSONS WITHOUT SUPERVISION. PLEASE ENSURE THAT YOUNG CHILDREN ARE SUPERVISED TO ENSURE THAT THEY DO NOT PLAY WITH THE APPLIANCE.



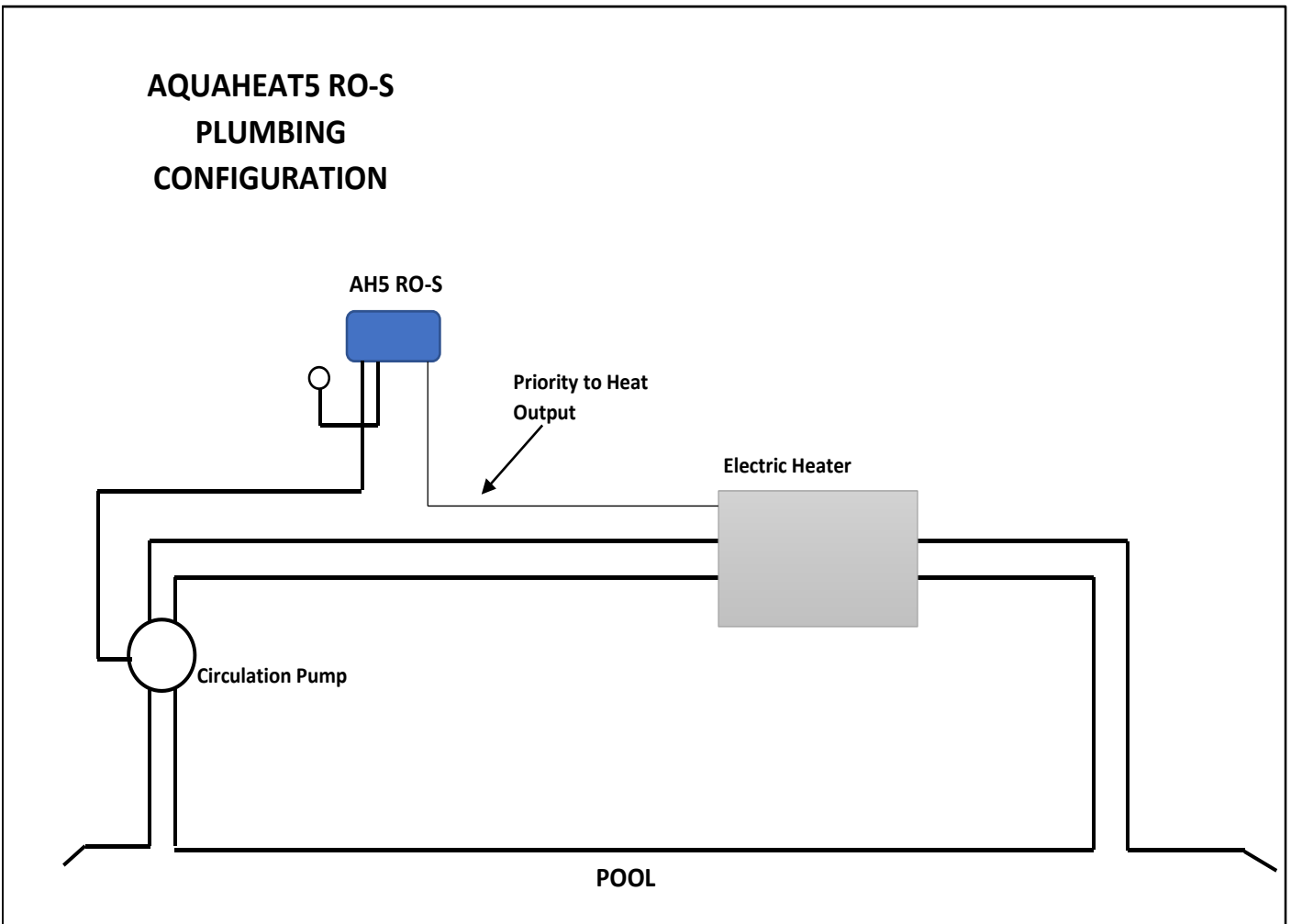
Ideally, as with all pool equipment, the controller should be installed out of direct weather.

CONTROLLER MOUNTING	<p>Find a suitable location to mount the control box.</p> <p>The controller should be no closer than 3m from the water's edge and a minimum 600mm above ground. The power cable is 1.8m long and should be plugged into a general power outlet, not into an extension lead.</p> <p>Fix the mounting bracket to a solid structure with the screw and wall plug kit provided. Slide the controller on, locking it into place. Adjust the screws on the back of unit to ensure a snug fit.</p> <p>To remove unit, lift and gently pull away from structure.</p>
PUMP CONNECTION	<p>The Circulation pump plugs into the 240V socket labelled PUMP.</p> <p>The maximum load is 9.98 AMPS at 2395W.</p>
HEATER CONNECTION	<p>Connect the interlock cable from the H5R0-S controller output (CONTROL) to the heater's external controller connection point (inside the heater).</p> <p>Check with heater manufacturer for correct interlocking procedure.</p> <p>The heater interlock is for extra low-voltage (MAX 24V at 1Amp) switching only.</p> <p><i>Note: If the heater's External switching circuit is greater than 24Vac, an external relay kit (can be purchased separately), <u>is to be installed by a licensed electrician.</u></i></p> <p>Note damage caused by incorrect connections will void warranties.</p>
HEAT DEMAND	<p>As most pools are filtered for 6-8 hours a day, extra run times are often required to maintain the water at the desired temperature.</p> <p>The heat pump/gas heater is equipped with a "Demand Heat" function that will assist in maintaining the temperature of the pool by communicating to the H5R0-S.</p> <p>The controller will initiate the circulation pump when heat is called for by the heater. The heater monitors the temperature within its defined run times. By this mean, the user is sure the water is always ready to bathe, day or night.</p>
NOTES:	<p>Should power be interrupted for any reason, the controller will resume normal operation when power is restored.</p> <p>MAX combined rated output load for the 240V socket[s] is 9.98 Amps / 2395 Watts.</p> <p>Degree of protection against moisture: IP33.</p> <p>Store pool chemicals at least 3 metres safely away from all pool equipment.</p>

BASE DIAGRAM



PLUMBING CONFIGURATION



WARRANTY

- This range of product is covered by a limited 3 year warranty against component failure or faulty workmanship from the date of installation.
- Faulty units should be returned in the first instance to the dealer from which the unit was purchased. [Return to Base]
- Damage to the unit due to misuse, power surges, corrosion from pool chemical fumes, lightning strikes and or installation that is not in accordance with the manufacturer's instruction may void the warranty.
- Warranty does not include on-site labour or travel costs to or from installation site.

If the power cord is damaged, do not use the controller. Return the unit to the supplier for repair.

CUSTOMER RECORD (To be retained by the customer)

DEALER/INSTALLER NAME

SERIAL NUMBER

DATE INSTALLED

For service assistance visit www.dontek.com.au

TROUBLE SHOOTING

PUMP FAULTS:

PUMP WILL NOT START:

The pump will only ever run for the purpose of automatic heating if the pool is below the temperature limit set in the heater.

If the pump does not operate then plug the pump into a power point and test operation, if the pump is OK and the heater has power and its time and function settings are correct, then the controller requires repair.

PUMP WILL NOT STOP:

Turn off power to the controller and ensure the pump stops. If the pump continues to operate then unplug it from the power point and connect it to the 240Vac socket marked PUMP at the bottom of the controller.

POOL NOT HEATING:

Check and ensure that the Heater Interlock cable is connected to the plug properly and that the plug is pushed in. Check and make sure that the heater has power connected.

Check and ensure that the Heater Interlock cable is connected to the appropriate position inside the heater, **according to the heater manufacturer's instructions.**

Dontek Electronics Pty Ltd

PO Box 239, Bayswater VIC 3153 Australia

Phone: +613 9762 8800 Email: sales@dontek.com.au

