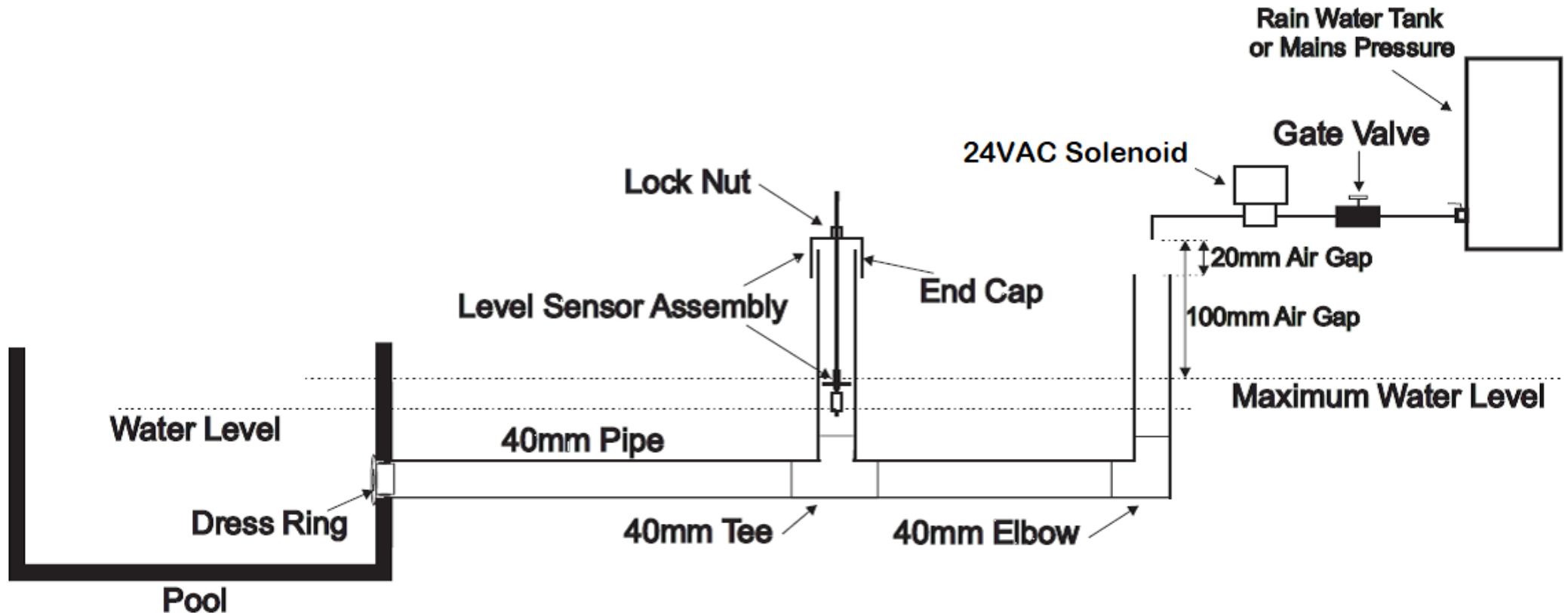


Typical Level Sensor Installation



Fill Pool or Spa to correct operating level before setting water level sensor. Tap end cap over 40mm pipe - DO NOT GLUE. To adjust sensor loosen locknut and slide centre black tube up or down as desired, tighten lock nut.